

PERFORMANCE	40.14	40.17
Maximum capacity (kg)	4.000	4.000
Maximum lifting height (m)	13,50	16,90
Maximum horizontal outreach (m)	9,30	12,70
Outreach at maximum height (m)	1,10	1,15
Fork swivelling angle	134°	134°
Pull-out force (daN)	5.700	5.700
Towing force (daN)	7.300	7.300
Gradeability	40 %	40 %
Total weight empty (kg)	10.900	12.260
Max speed (km/h) *	30**	30**

\* = referred to wheels with maximum admitted diameter

\*\* On request 40 Km/h)

BOOM	40.14	40.17
<b>Times: empty (in seconds)</b>		
Lifting	12,3	14,1
Descent	8,4	10,2
Extension	21,4	21,4
Retraction	15,6	14,1
Forward swivelling	3,3	3,3
Reverse swivelling	2,1	2,1

Patented compensation system

ENGINE	
Model:	FPT – NEF – TIER3A
Maximum power kW(HP) @ rpm:	93(127) @ 2200
Injection:	Direct mechanical
Operation:	4-stroke diesel
Number and arrangement of cylinders:	4, vertical in line
Intake:	Turbo compressor with aftercooler
Displacement (cm <sup>3</sup> ):	4.485
Cooling system:	liquid

HYDRAULIC PLANT	
Gear pump for power steering and services	
Max flow rate (l/v <sup>1</sup> ):	130
Max. operating pressure (bar):	250
Accessories control with hydraulic coupler with quick couplings on boom head	

DIFFERENTIAL AXLES	
Steering axles: 2, with 4 planetary reduction gears	
Type of steering: 4 wheels / transversal / 2 wheels	
Service braking with oil bath on the 4 wheels with double hydraulic system and servo brake	
Negative action parking brake	

REFUELLING (Litres)	
Hydraulic plant (total)	174
Fuel tank	105

**OPTIONALS AND ACCESSORIES**  
 A/C; Water Heaters; Seat pneumatic suspension; Work light on the cab and on the boom; Quick coupling for accessories; Radio; Anti-theft system; Glass protection.  
 (For further customizations, contact your local dealer)

**TRANSMISSION**  
 Hydrostatic with variable displacement pump  
 Hydraulic engine with continuous automatic adjustment  
 Reversing electro - hydraulic actuated even with vehicle in motion.  
 Servocontrolled 2-speed gearbox.  
 Pedal inching control for controlled forward movement

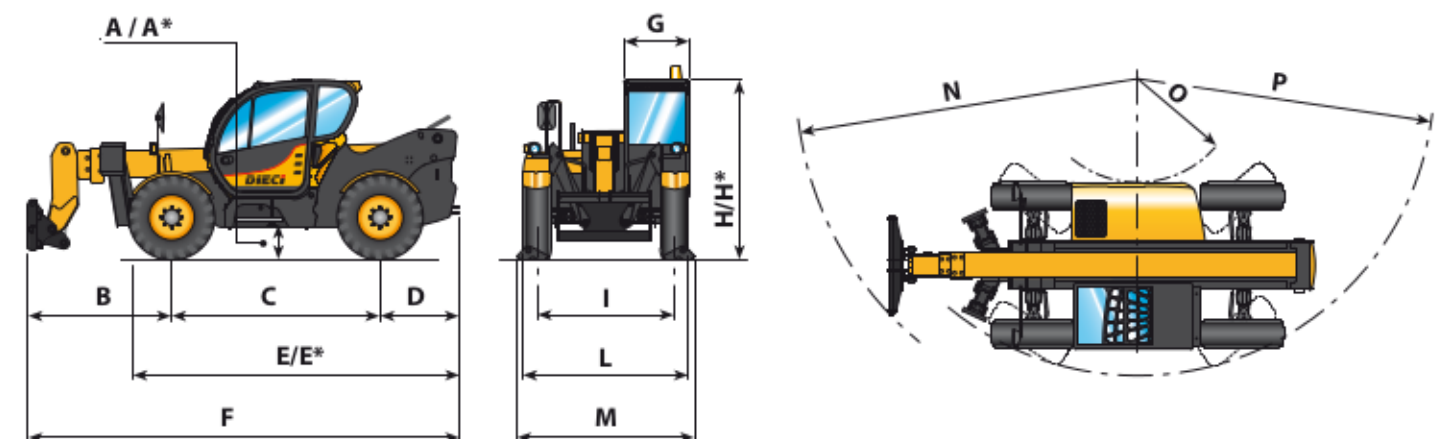
**DEVICES AS PER STANDARD**  
 ROPS - FOPS approval, suspension on silent-blocks, soundproofing, front and rear wiper with washer, ventilation and heating, roof and openable rear glass, door with electric window, seat with safety seat belt, radio pre-arrangement, adjustable steering wheel (height and inclination). Instrumentation: charging indicator, tachometer, water temperature gage, fuel level gage, engine water and oil temperature, LCD display, digital speedometer, hour meter, clock.  
 Hazardous movements stopping in case of overload, outriggers locking and leveling with raised boom, starting only with gear in neutral, running only with driver on board, automatic parking brake with the engine off. Fork block. Rear view mirror.

TYRES	40.14	40.17
Tyres	405/70x20"	405/70x24"
Alternative	405/70x24"	18-22.5"
Alternative	-	18R22.5"

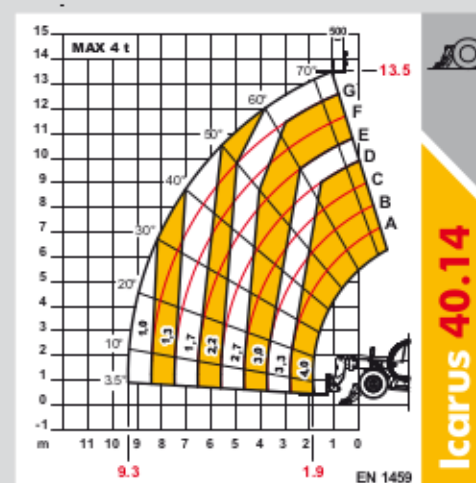
DIMENSIONS	40.14	40.17
A/A*	390 / 440*	440
B	1900	1970
C	2950	2950
D	1415	1415
E/E*	4905 / 4955*	4955
F	6245	6295
G	940	940
H/H*	2500 / 2555*	2555
I	1950	1950
L	2360	2360
M	3270	3270
N	4900	4900
O	1700	1700
P	4400	4400

Measurements expressed in millimetres

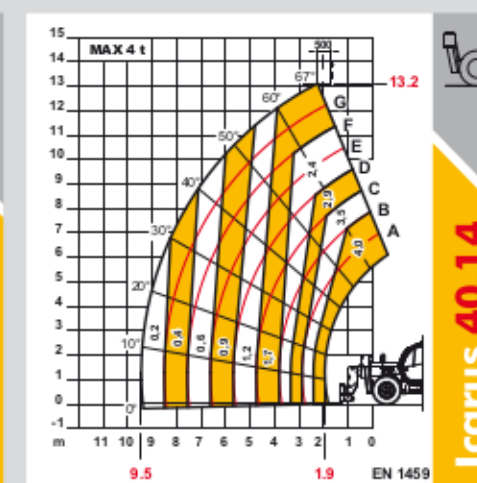
A\* - E\* - H\* = Measurements referring to optional wheels



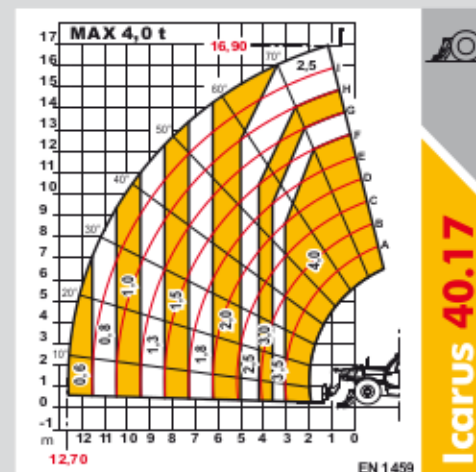
A\* - E\* - H\* = Measurements referring to optional wheels



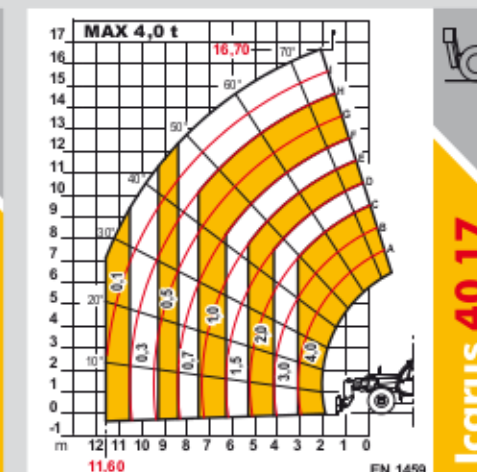
Icarus 40.14



Icarus 40.14



Icarus 40.17



Icarus 40.17